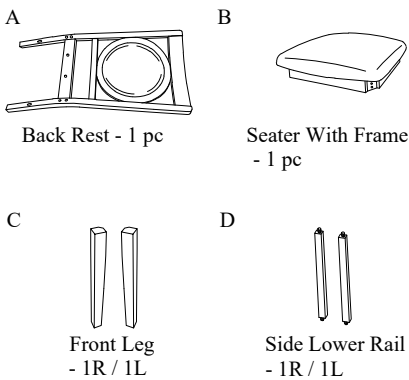


Thank you for purchasing this quality product. It has been engineered for easy assembly yet constructed for durability. Be sure to check all packing material carefully for small parts, which may have come loose inside the carton during shipment. Identify and count all parts and compare with the part lists below. Please be sure to read notes section at the bottom of the page, and follow the instruction while assembling. Thank you.

1	Ball Shape Allen Key M4		1 Pc
2	JCBC M6 x 40mm		2 Pcs
3	JCBC M6 x 60mm		4 Pcs
4	JCBC M6 x 70mm		4 Pcs
5	Spring Washer M6		10 Pcs
6	Flat Washer M6		10 Pcs
7	CSK M4 x 38mm		4 Pcs

**Part List**



**Important Notes**

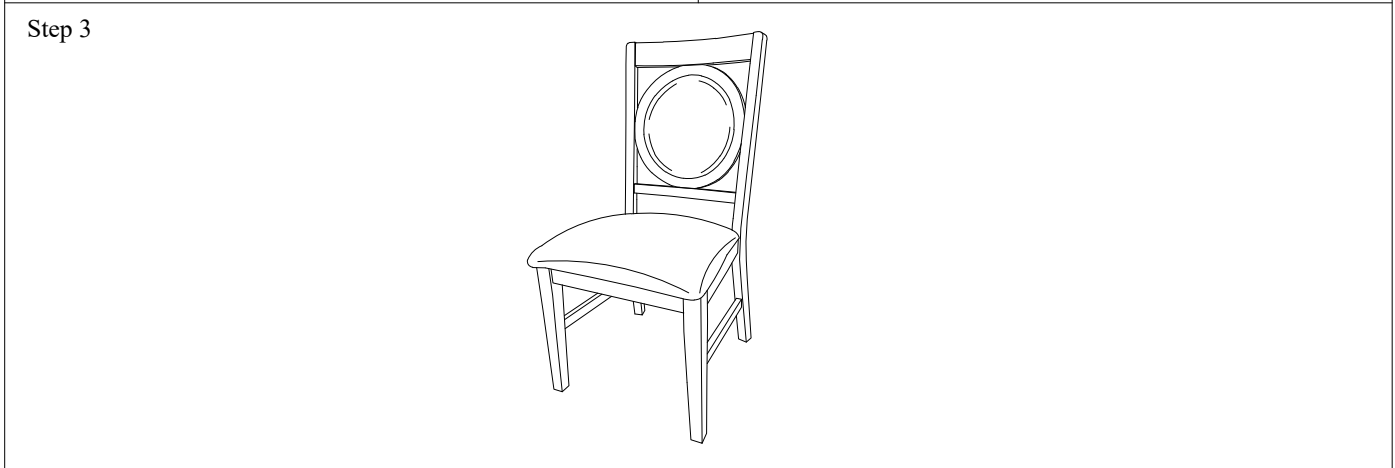
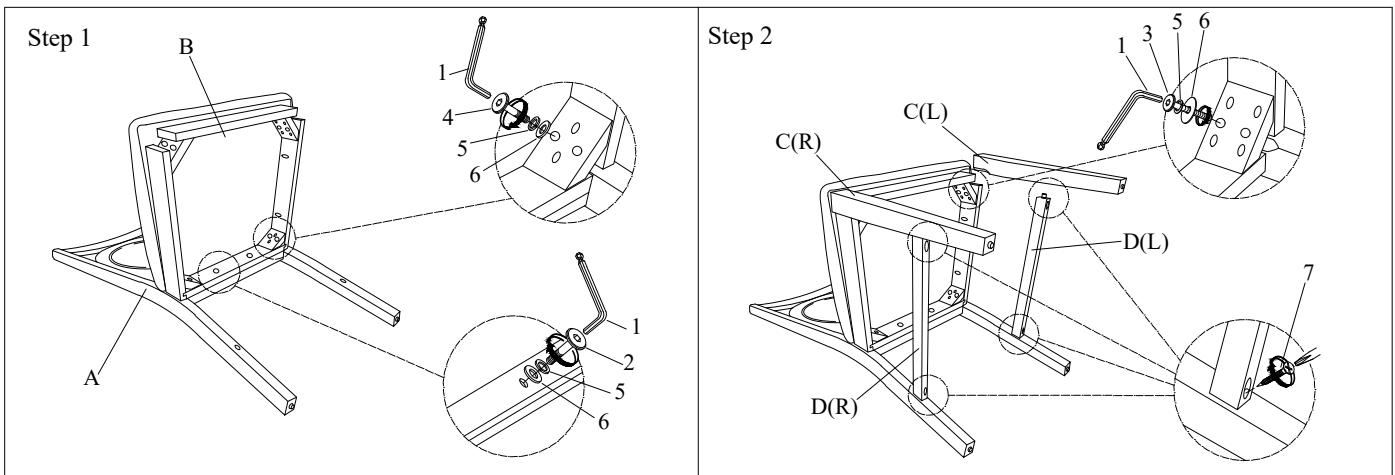
- \* Keep all hardware parts out of reach of children.
- \* Must tighten screws periodically. With use screws will become loose. Check tightness of all screws every 6-8 weeks.
- \* Don't attempt to repair or modify parts that are broken or defective. Please contact the store immediately.
- \* Do not tighten all screw / bolt until all completely assembled.

**Care And Maintenance**

- \*The Touch of a soft cloth is all the maintenance your wood pieces will ever need.
- \*Never use harsh chemicals or abrasive cleaner as they could mark or destroy finish.

**Notes**

- \* Place all wooden parts on a clean and smooth surface such as a rug or carpet to avoid the parts from being scratched.
- \* Check to be sure that you have all parts and hardware.
- \* Remove all wrapping materials including staples & packing straps before you start to assemble.



\*\*\* Notes : 1. Do not fully tighten the nut or bolt until all nuts and bolts are attached.  
 2. Do not over tighten the nut or bolt. This will avoid causing damage to the thread.